

HAYWARD

Pool Products

One source. Every pool.

Search [➤](#)

What kind of pool do you own?

[▶ In Ground](#)
[▶ Above Ground](#)
[▶ Design a Pool](#)

[Products](#)
[Locator](#)
[Warranty Registration](#)
[Pool Safety Products](#)
[News](#)
[Contact Us](#)
[Home](#)

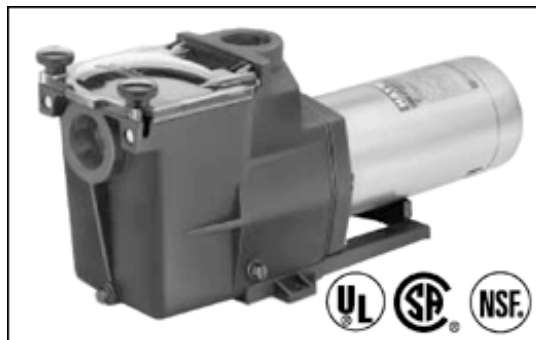
In Ground Pools: Pumps

- **Products**
- + **Energy Solutions**
- **Pumps**
 - TriStar®
 - TriStar Energy Solution®
 - TriStar® Waterfall
 - NorthStar™
 - Super II™
 - Super Pump®
 - Max-Flo II®
 - Max-Flo®
 - Booster Pump
- + **Filters**
- + **Heaters**
- + **Cleaners**
- + **Controls**
- + **Chlorinators**
- + **Lighting**
- + **General Pool and Spa**
- + **Totally Hayward® System**
- + **Owner's Manuals**
- + **Literature & Brochures**
- + **Equipment Upgrades**
- + **Replacement Parts**
- + **Maintenance**
- + **Rebate Center**



Super Pump® Medium Head Pump Series

Efficient. Dependable. Proven. The Super Pump has all the quality features you expect from Hayward. For replacement or new pool installations, the Super Pump sets the standard of excellence and value.



SP2610X15 1 1/2 H.P. Super Pump.

- ▶ [Applications](#)
- ▶ [Features](#)
- ▶ [Performance Data](#)
- ▶ [Owner's Manual](#)
- ▶ [Technical Specifications](#)

Applications

[Back to top](#) ▲

- + In-ground pools of all types and sizes
- + In-ground spas

Features

[Back to top](#) ▲

- + High-performance, heavy-duty motor for quieter, cooler operation
- + Exclusive swing-away hand knobs for easier strainer cover removal: no tools required... no loose parts... no clamps

+ Warranty Registration

- + See-through strainer cover lets you see when the basket needs to be cleaned
- + 110-cubic-inch basket for extra leaf-holding capacity; load-extender ribbing ensures free flowing operation
- + Mounting base provides stable, stress-free support, plus versatility for any installation requirement. Adapts both 48- and 56-frame motors
- + Service-ease design gives simple access to all internal parts
- + Self-priming (suction lift up to 8' above water level)
- + 6 max-rated single speed models available from 1/2 to 2 1/2 hp
- + 3 max-rated two speed models available in 1, 1.2 and 2 hp

Performance Data

[Back to top ▲](#)

Pump Output (GPM) vs. Total Resistance to Flow (Feet of Head)

Model No. Max Rated	20ft	30ft	40ft	50ft	60ft	70ft
SP2600X5	48	38	23	—	—	—
SP2605X7	61	52	41	25	—	—
SP2607X10	74	65	54	40	9	—
SP2610X15	83	75	65	53	36	—
SP2615X20	122	111	98	84	66	38
SP2621X25	117	107	97	86	74	58

Performance Data – Low Speed

[Back to top ▲](#)

Pump Output (GPM) vs. Total Resistance to Flow (Feet of Head)

Model No. Max Rated	5ft	10ft	15ft	20ft	25ft	30ft
SP2607X102S	39	29	13	—	—	—
SP2610X152S	41	32	18	—	—	—
SP2615X202S	63	51	35	—	—	—

Owner's Manual

[Back to top ▲](#)

These are currently the model numbers that we have manuals for in PDF form. We are adding to this list regularly. If you don't find your model number listed here, please try again at a later date.



All Super Pump models

Technical Specifications

[Back to top ▲](#)

Standard Efficiency Max Rated Dual-Speed

Model Number	Total H.P.	Rated H.P.	Service Factor	Voltage	Pipe Size	Dim. "A"	Ctn. Qty.	Ctn. Weight
SP2607X102S	1	1	1.00	230	1 1/2"	13"	1	39 lbs.
SP2610X152S	1 1/2	1 1/2	1.00	230	1 1/2"	13 3/4"	1	43 lbs.
SP2615X202S	2	2	1.00	230	2"	14 1/4"	1	48 lbs.

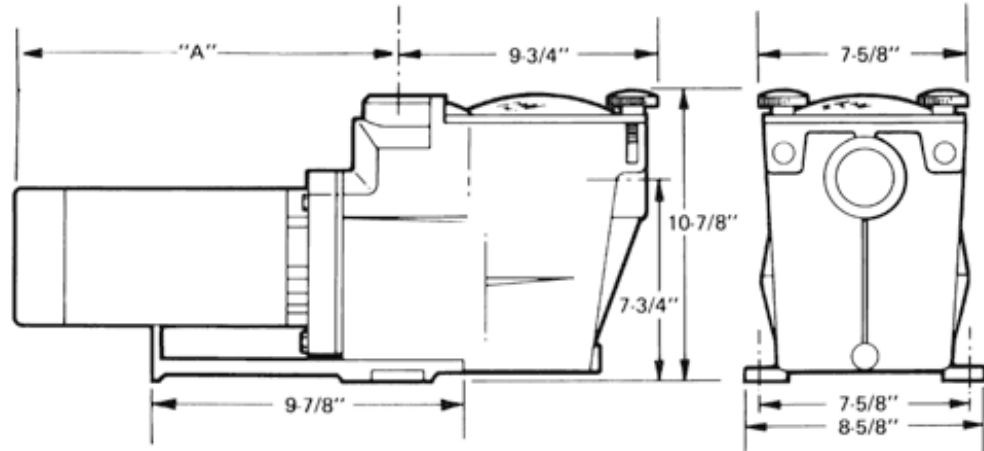
Dual-speed pumps with "S" designation are complete with "Hi/Lo" switch.

Standard Efficiency Max Rated Single-Speed

Model Number	Total H.P.	Rated H.P.	Service Factor	Voltage	Pipe Size	Dim. "A"	Ctn. Qty.	Ctn. Weight
SP2600X5	0.60	1/2	1.20	115	1 1/2"	13 1/4"	1	29 lbs.
SP2605X7	0.75	3/4	1.00	115/230	1 1/2"	13 7/8"	1	32 lbs.
SP2607X10	1.10	1	1.10	115/230	1 1/2"	14 1/4"	1	35 lbs.
SP2610X15	1.50	1 1/2	1.00	115/230	1 1/2"	15 3/8"	1	40 lbs.
SP2615X20	2.00	2	1.00	115/230	2"	15 7/8"	1	48 lbs.
SP2621X25	2 1/2	2 1/2	1.00	230	2"	16 3/8"	1	54 lbs.

Overall Dimensions

[Back to top](#) ▲



In Ground Pool Owners | Above Ground Pool Owners | Pool Dreamers
 Products | Locator | Warranty Registration | Pool Safety | About Us | Contact Us | Totally Hayward Partners
 Site Map | Privacy Policy | Terms & Conditions
 © 2010 Hayward Industries, Inc.